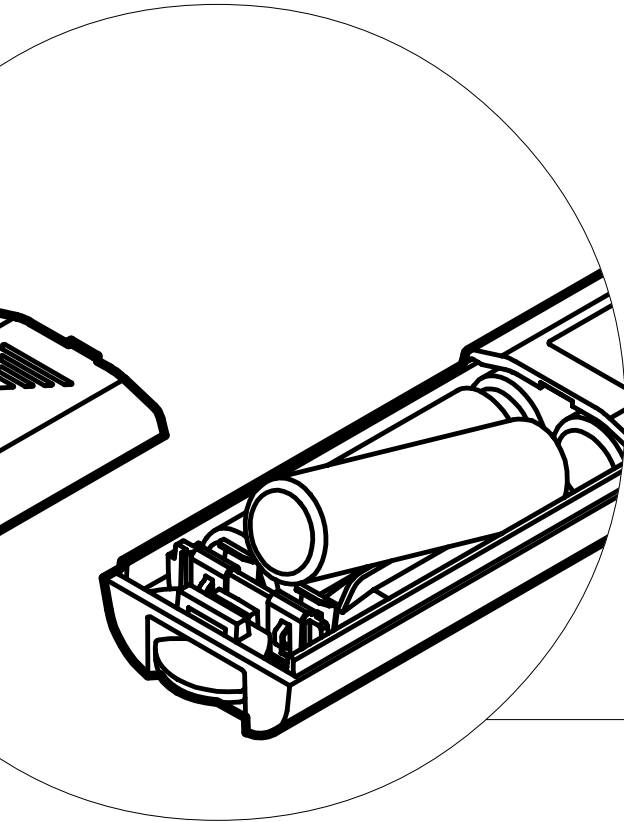




3

Batteries

The Explorer is powered by alkaline batteries or a rechargeable Nickel Metal Hydride battery pack. This chapter provides details on battery installation, use and performance.



THE BATTERY PACK

The Explorer XS is supplied with a sealed rechargeable Nickel Metal Hydride (NiMH) battery pack and a battery pack designed to accept alkaline AA batteries. Removal instructions apply to both types of pack. Battery installation instructions apply to alkaline battery replacement only.

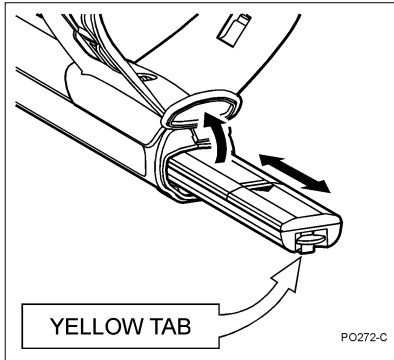


Figure 3.1 Removal of battery pack

Removal of battery pack

Figure 3.1

CAUTION Ensure that the detector is turned OFF before proceeding with any of the following directions.

- STEP 1 Prop or rest the detector on a stable flat surface.
- STEP 2 Lift the rubber cap of the battery handle assembly.
- STEP 3 Raise the yellow tab. This releases the spring loaded battery pack.
- STEP 4 Remove battery pack entirely from handle assembly.

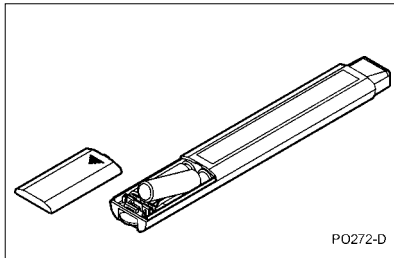


Figure 3.2 Replacing alkaline batteries

Replacing alkaline batteries

Figure 3.2

- STEP 1 Remove alkaline battery pack from handle assembly. Slide the battery pack lid in the direction of the arrow to remove. Place 8 x 'AA' cell alkaline batteries inside. Make sure that they are aligned as indicated on the label.
- STEP 2 Replace the battery pack lid and slide the pack into the compartment until it 'clicks' into place.
- STEP 3 Replace the rubber cap, sealing the battery compartment.

NOTE High-quality alkaline batteries are recommended to optimise detector usage time.

NOTE Rechargeable alkaline batteries may be used but must be removed and recharged separately.

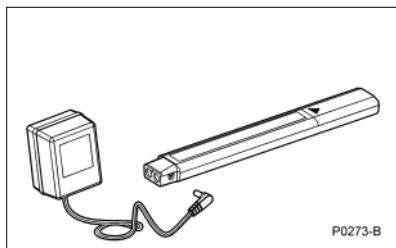


Figure 3.3 Recharging NiMH battery pack

Recharging NiMH battery pack

Figure 3.3

The Explorer XS is provided with a sealed Nickel Metal Hydride (NiMH) battery pack and a charger which plugs into a conventional wall socket.

CAUTION Ensure that the detector is turned OFF before proceeding with any of the following directions.

- STEP 1** Remove battery pack as per instructions on previous page
- Ensuring the wall socket switch is in the OFF position, plug the charger into the wall socket.
- STEP 2** Insert the battery charger plug into the socket at the tapered end of the battery pack.
- STEP 3** Turn wall socket switch to ON position and leave for about 16 hours to fully recharge.
- STEP 4** Remove the battery charger plug from the battery pack and slide the pack back into the handle assembly battery compartment until it clicks into place.

CAUTION Minelab's battery charger is suitable for the Explorer NiMH battery pack only. Using a non-Minelab charger with the battery pack may damage it and will void the product warranty. The battery charger will not recharge rechargeable alkaline batteries.

Safety Tip

Do not attempt to disassemble the NiMH battery pack. If disposing of pack, do not incinerate. Contact your local authorities to enquire about disposal or recycling facilities.

BATTERY PERFORMANCE

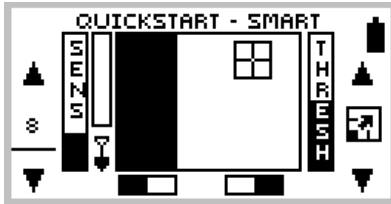
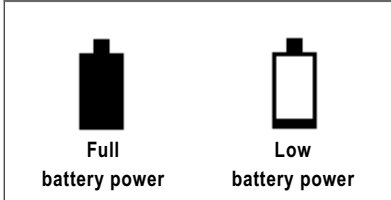
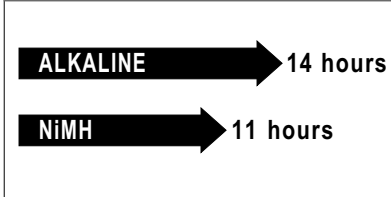


Figure 3.4 Battery life indicator

Battery life



Battery performance



More detecting time?

To extend battery life:

- use headphones
- turn off the backlight
- turn the detector off when not in use.

Battery life indications

Visual indication – The battery life indicator appears on all of the Explorer detect screens. The battery will be fully shaded at maximum battery charge. When this shaded area nears the bottom, the detector will begin to sound its low battery warning.

Audio indication – When the alkaline or NiMH batteries approach the point at which they do not supply enough power to operate the Explorer, a falling extended chord is emitted from the speaker (or headphones). When this low battery warning is heard, there will be only a few minutes of life left in the batteries. It is recommended that the batteries be replaced or recharged as soon as possible to avoid missing any targets. When the battery symbol is completely empty, the detector will sound an extended 'dropping' tune and display a message immediately before turning itself off.

Notes supporting performance figures

Figure 3.4

Alkaline batteries will power the Explorer for up to 14 hours of constant use. The NiMH battery pack will power the detector for up to 11 hours of constant use. Battery performance is charted in Chapter 7: User Info.

NOTE Unlike Nickel Cadmium batteries, the NiMH battery pack **DOES NOT** have to be flattened to be recharged. Whenever the detector has been unused for a lengthy period, recharge the battery pack to ensure full performance. There is no limit to the time the battery pack can be left on charge.

You are now ready to proceed to Chapter 4: Control Panel.

